

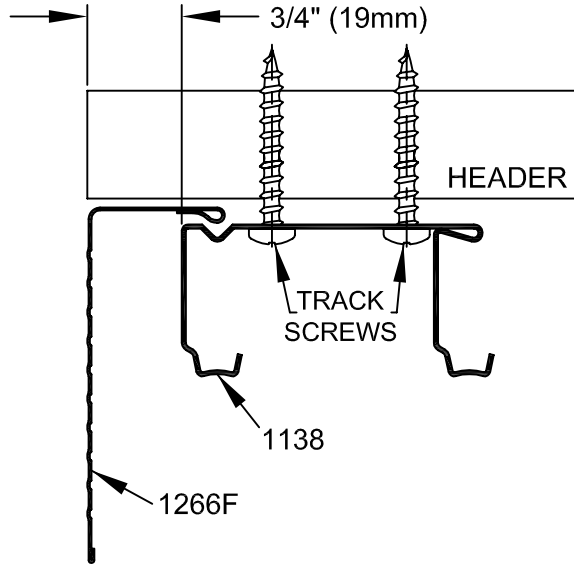


INSTRUCTIONS

FOR USE WITH
1138 STEEL TRACK &
1266F STEEL FASCIA

113F

www.johnsonhardware.com



Install track as shown in diagram at left, 3/4" (19mm) from front edge of header. Fasten track loosely with #8 X 1-1/4" (32mm) screws. Slip FASCIA between track and header so that beaded edge locates in track groove as shown at left. Tighten track screws to snug FASCIA to header. If required, additional screws (not supplied) may be used to provide additional FASCIA security.

Follow instructions on large instruction sheet when installing hangers, pulls, guides, etc.