

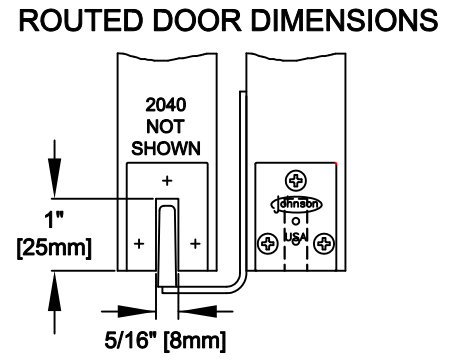
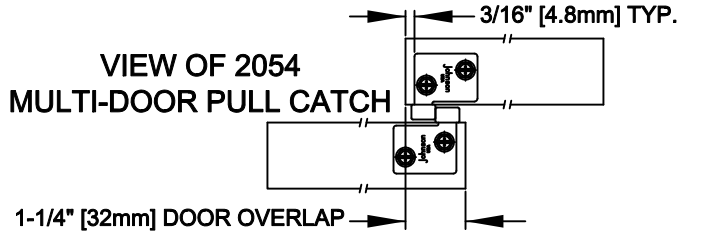
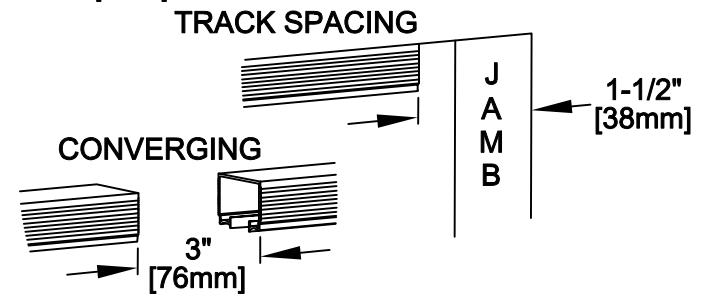
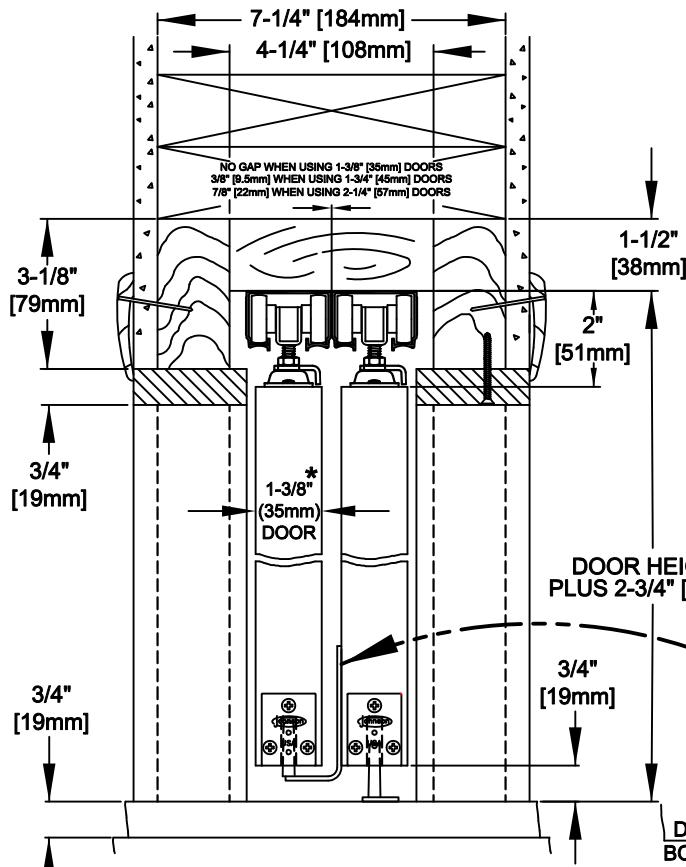
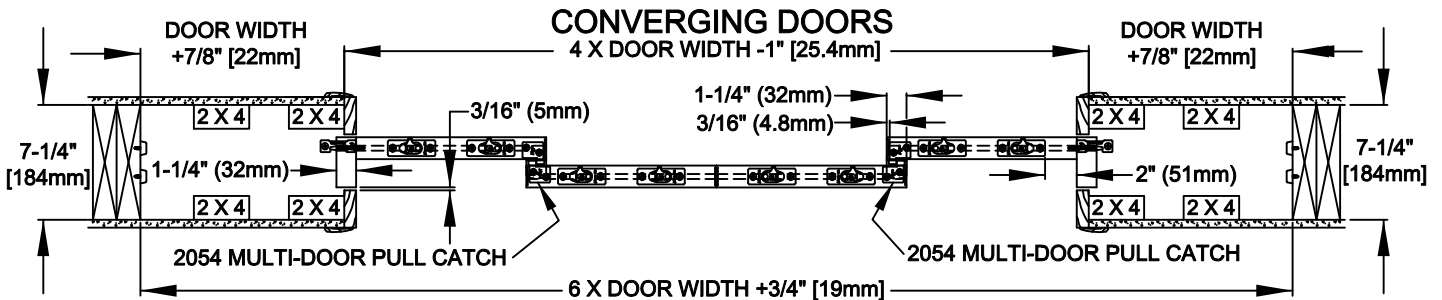
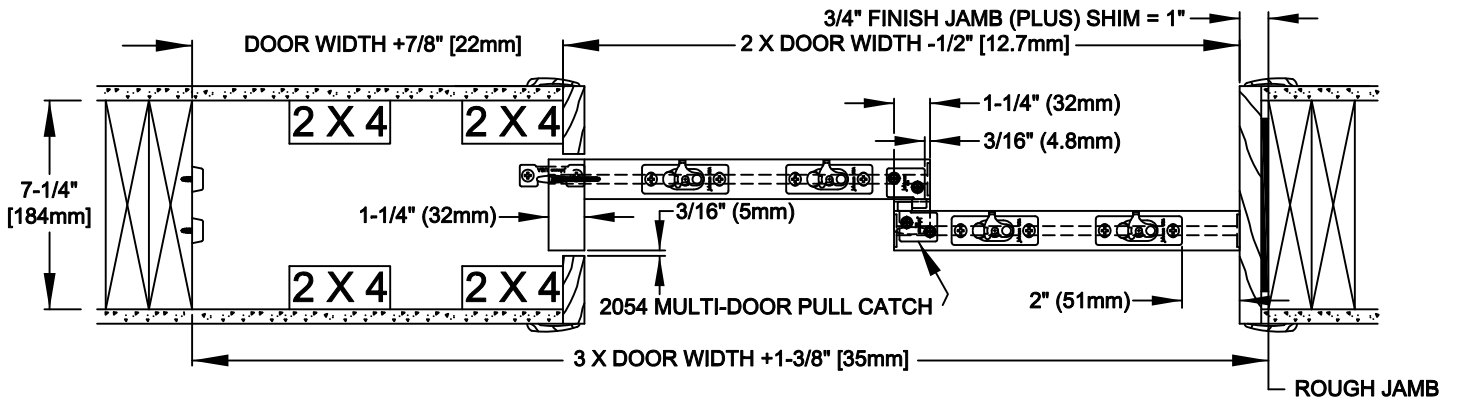


www.johnsonhardware.com

# INSTRUCTIONS

## BYPASS POCKET DOOR 100BP SERIES

SIDEMOUNT GUIDES  
2032 FOR 1-3/8" [35mm],  
2033 FOR 1-3/4" [45mm],  
2036 FOR 2-1/4" [57mm]  
DOOR THICKNESS



\*1-3/8" (35mm) DOOR REQUIRES A 2 X 8 STUD WALL  
1-3/4" (45mm) & 2-1/4" (57mm) DOOR REQUIRES A 2 X 10 STUD WALL