

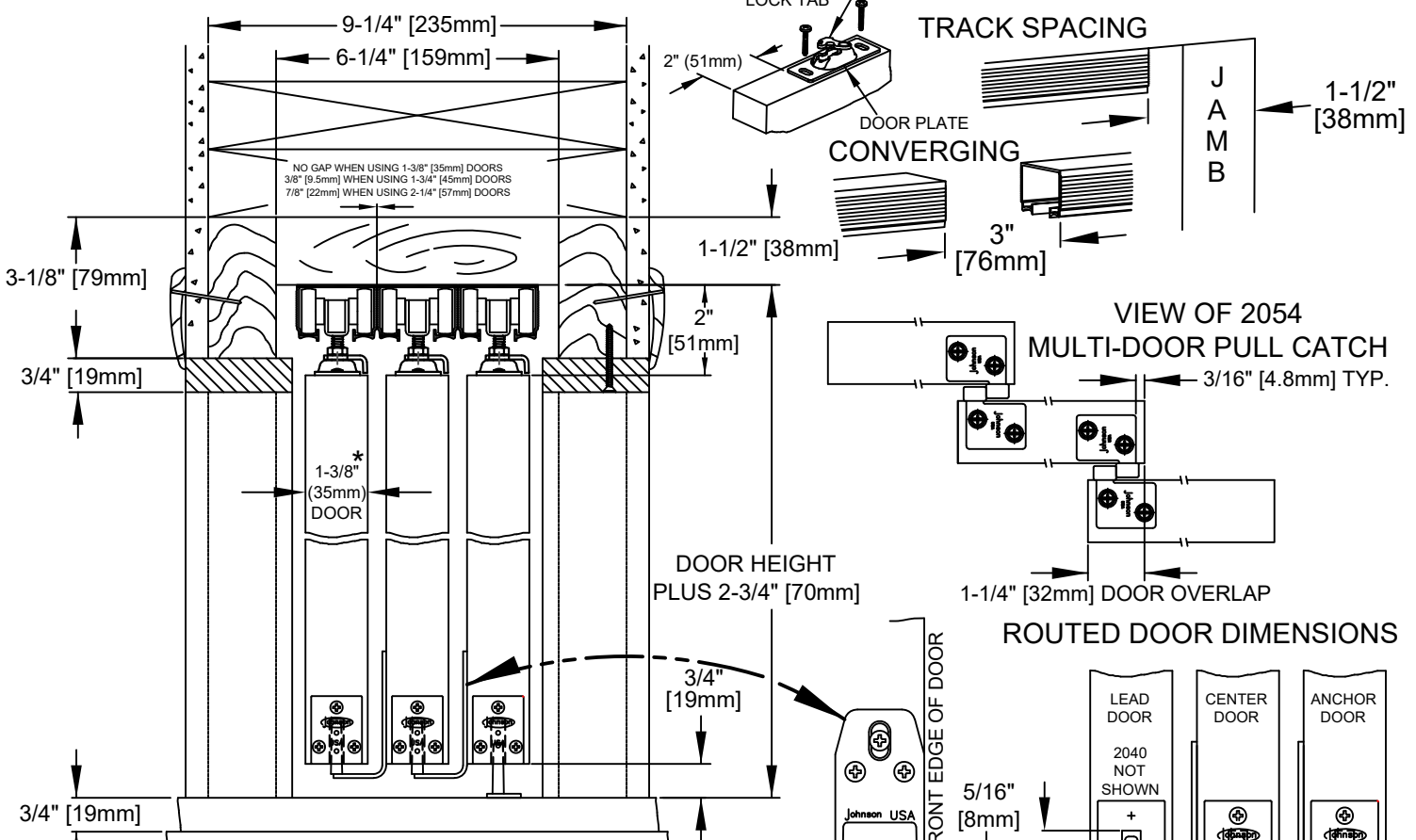
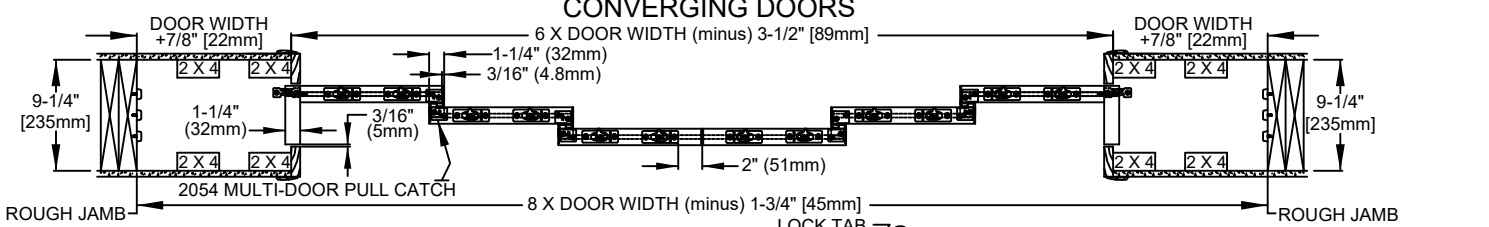
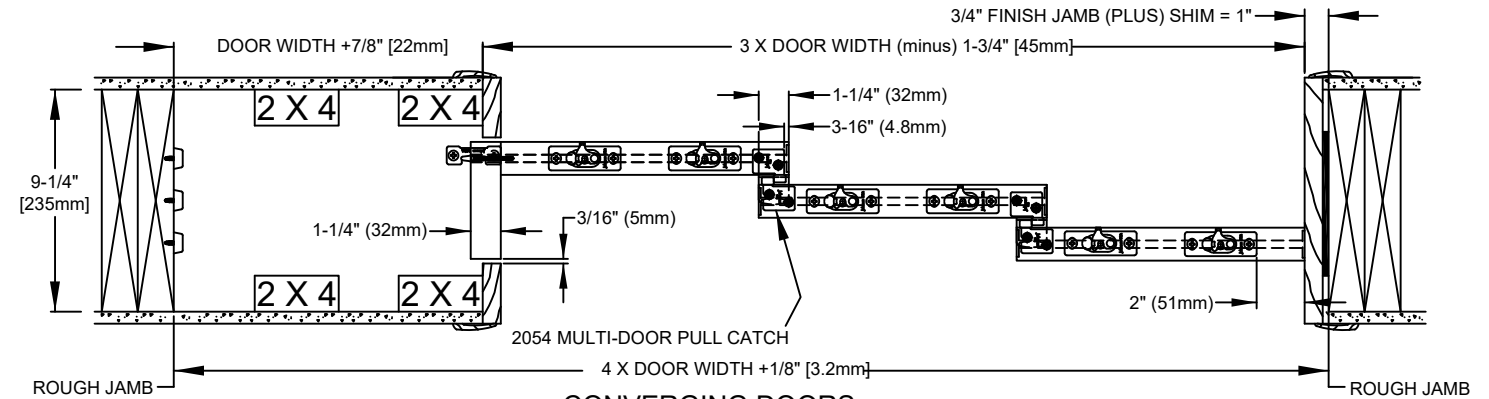


www.johnsonhardware.com

INSTRUCTIONS

MULTI-PASS POCKET DOOR 100MP SERIES

SIDEMOUNT GUIDES
2032 FOR 1-3/8" [35mm],
2033 FOR 1-3/4" [45mm],
2036 FOR 2-1/4" [57mm]
DOOR THICKNESS



* 1-3/8" (35mm) DOOR REQUIRES A 2 X 10 STUD WALL
1-3/4" (45mm) & 2-1/4" (57mm) DOOR REQUIRES A 2 X 12 STUD WALL