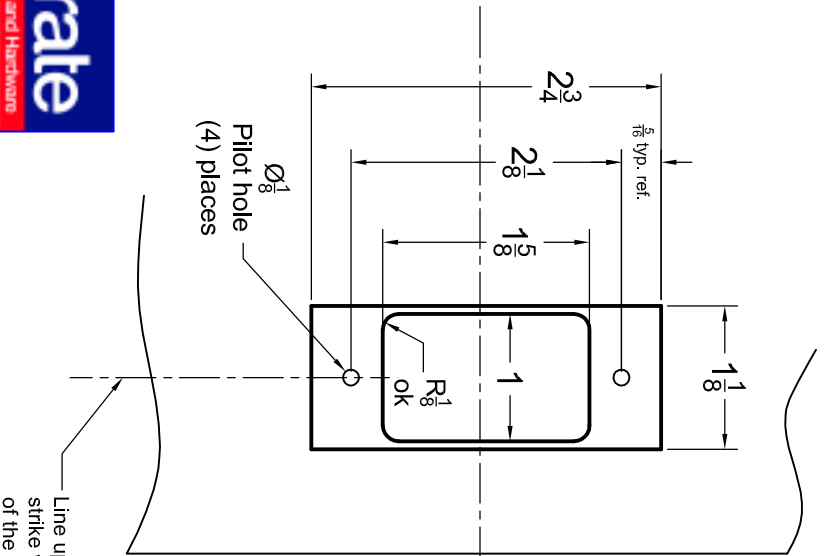
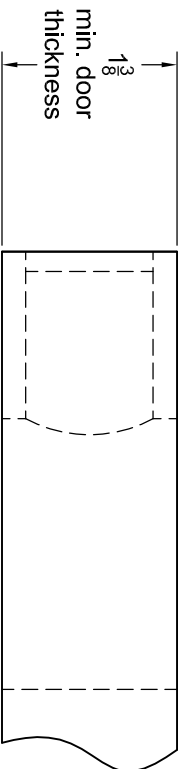
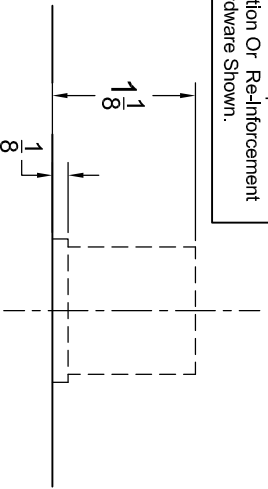
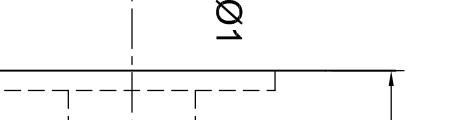
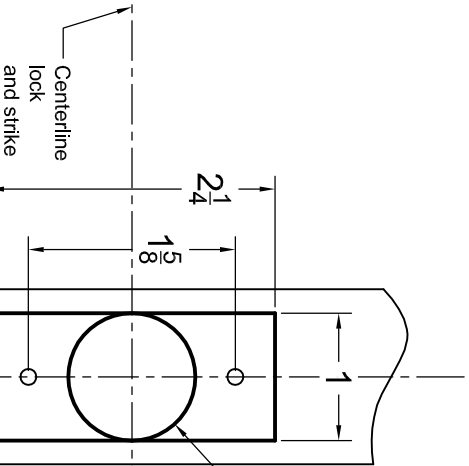


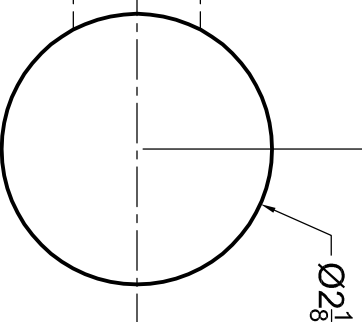
**Responsibility:**  
 Door And Frame Manufacturers Are Responsible For  
 Providing Adequate Construction Or Re-Inforcement  
 For Proper Installation Of Hardware Shown.



Line up centerline of strike with the centerline of the door



Insert Backset  
 2 3/8" or 2 3/4"



**Installation:**

**S-161:** Install **161PDL** lock and strike using the (4) #8 screws provided, surface mount the **S161T x S161E** rectangular flush pulls using the (8) #6 screws provided.

**R-161:** Install **161PDL** lock and strike using the (4) #8 screws provided, surface mount the **R161T x R161E** round flush pulls using the (2) thru-bolting screws provided.

**Accurate**  
 Lock and Hardware

S-161 and R-161 pocket door  
 lock template - 2 3/8 & 2 3/4BS

DRAWN BY: MJD  
 DATE: 1/27/11  
 SCALE: NONE

DWG. NO.: T-161PDL(W)

REV