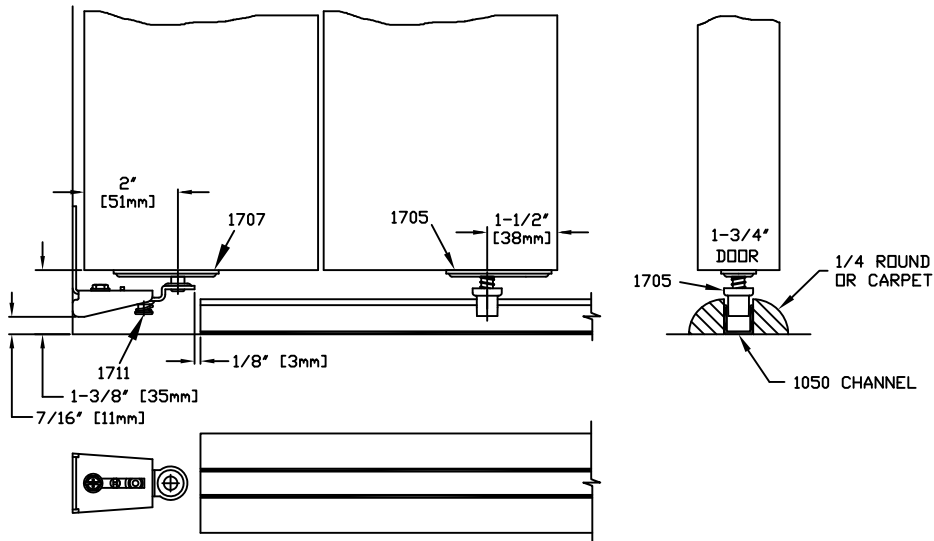
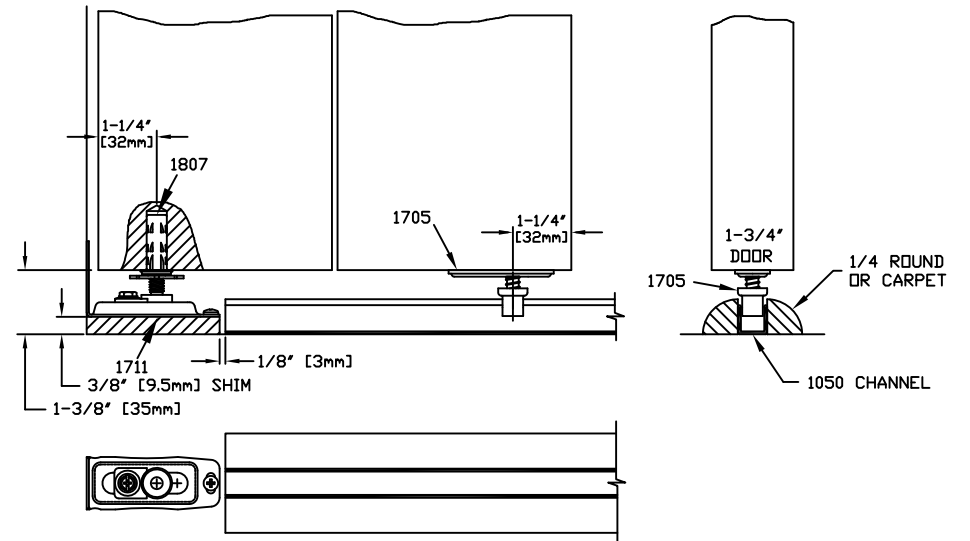


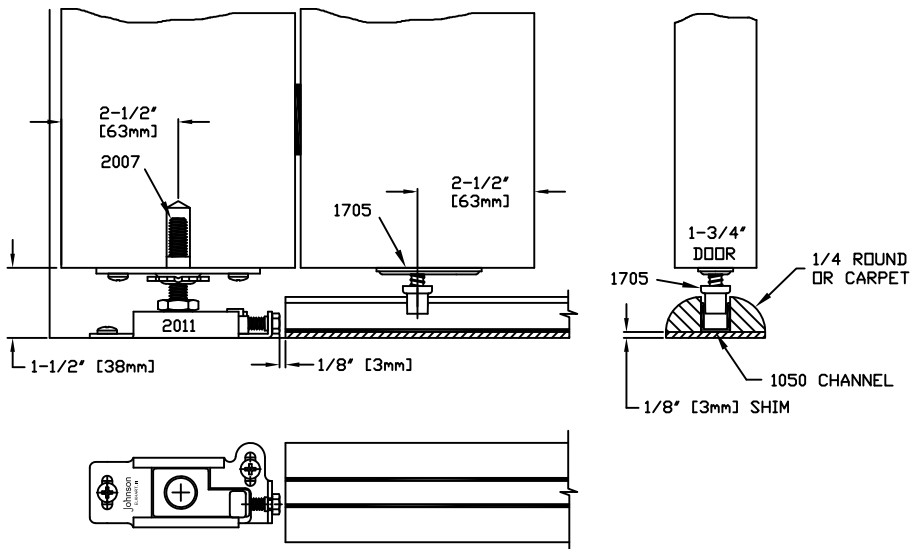
111FD/1700FD W/1050 GUIDE CHANNEL



1825FD W/1050 GUIDE CHANNEL



200RD W/1050 GUIDE CHANNEL



100RD W/1050 GUIDE CHANNEL

