

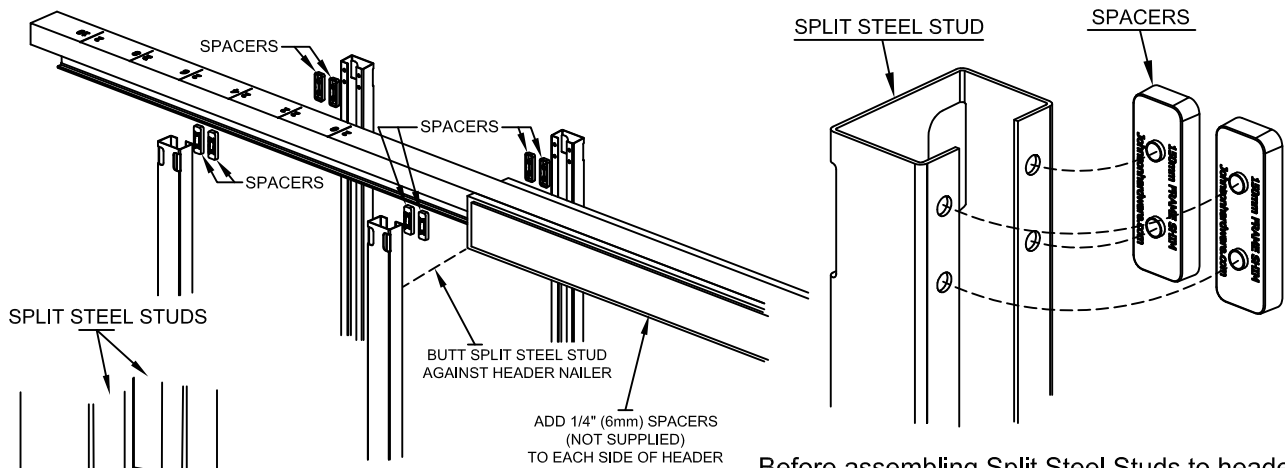


# INSTRUCTIONS

FOR USE WITH JOHNSON  
2060 SERIES  
POCKET DOOR FRAME ONLY

www.johnsonhardware.com

## 2076 POCKET DOOR FRAME ADAPTER KIT FOR 6" (150mm) STEEL STUD WALLS



Discard standard Floor Brackets and replace with 6" (150mm) Floor Brackets.

Before assembling Split Steel Studs to header, snap nylon spacer pads onto top end of each stud. (Small sleeves fit into Split Stud screw holes). Screw studs into place as instructed in 2060 assembly instructions.