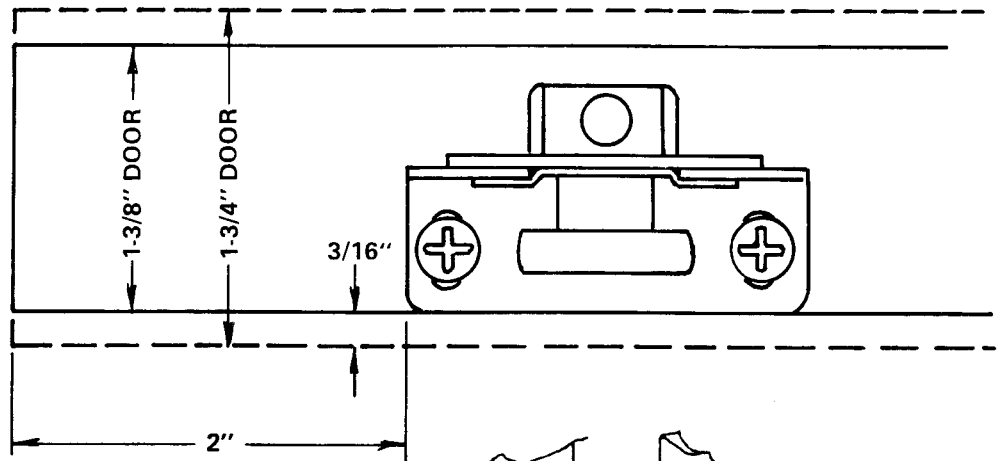
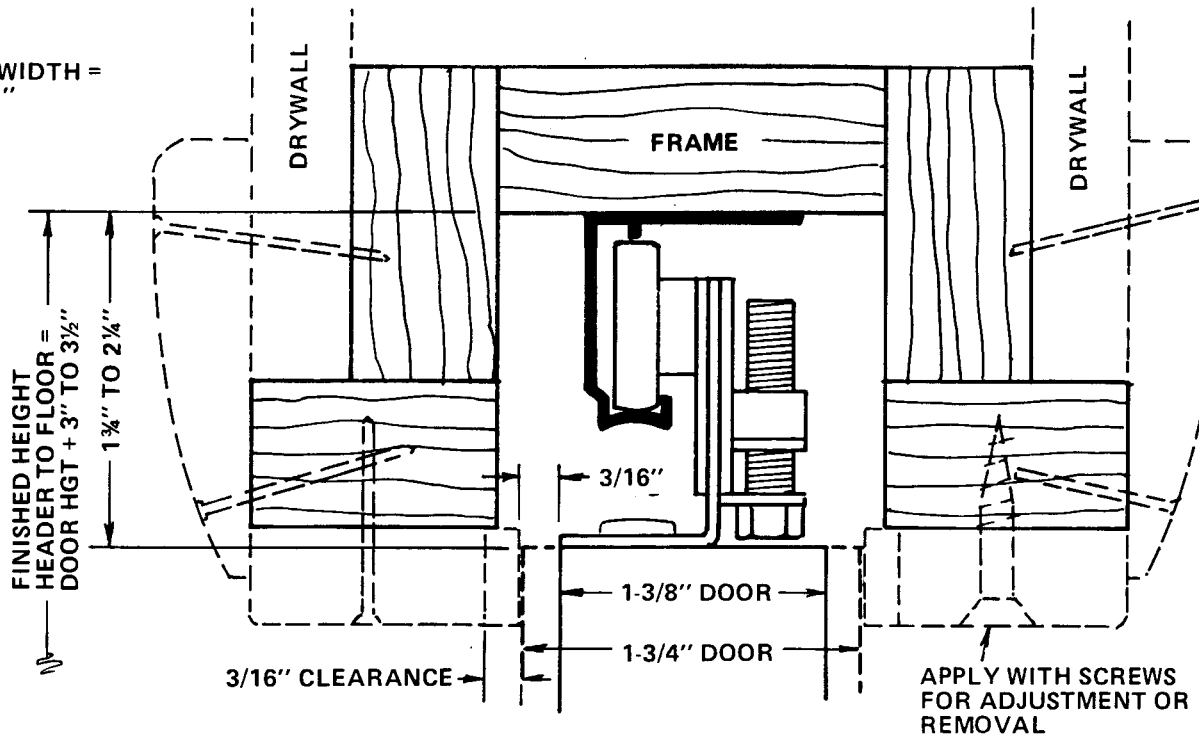


# INSTRUCTIONS

FOR 1-3/8" TO 1-3/4" DOORS  
UP TO 50 LBS

## 2800-2850 PD Series Hardware for "Job Site" Pocket Doors

FINISHED OPENING WIDTH =  
2 X DOOR WIDTH + 1"



Fasten #2802 hangers 2" from each edge of door. Tilt top of door back and place hangers on track. Let door hang vertical and slip into pocket.

Apply stops, using screws on one side for future removal. Leave 3/16" clearance on all sides.

Fasten guides at bottom of door so that door glides easily without dragging. Finish trimming casing and add pulls, etc.

