

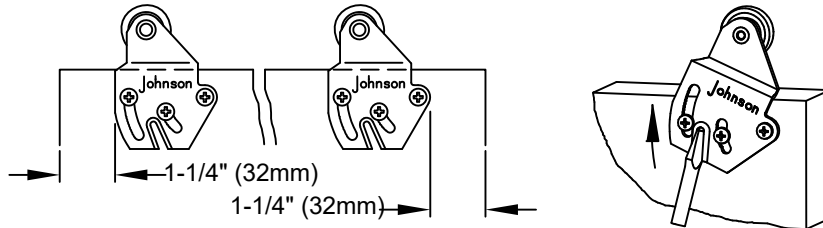
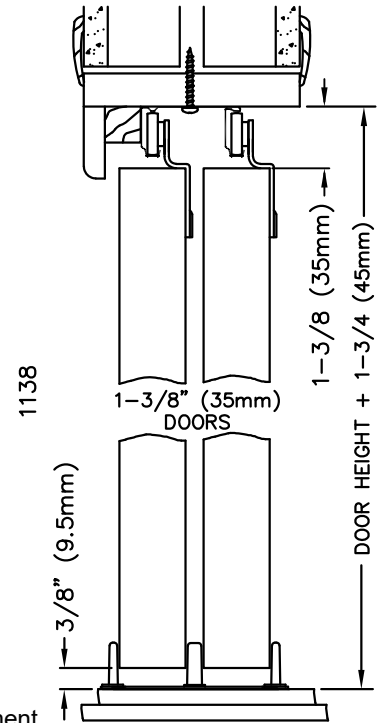
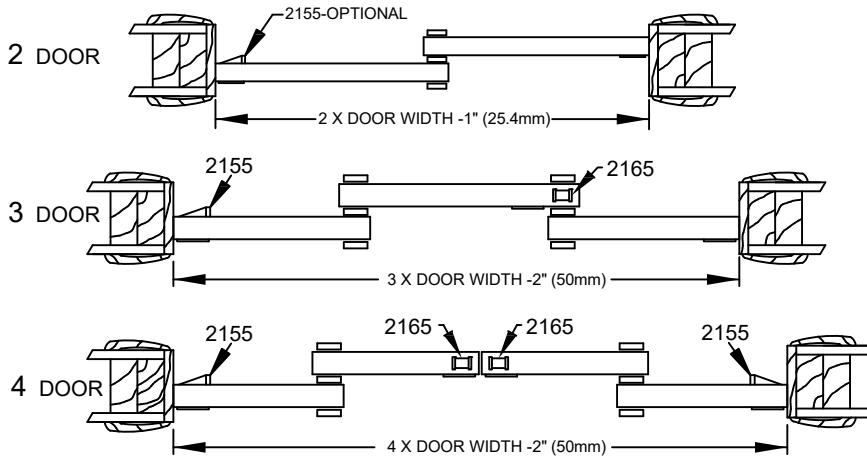


INSTRUCTIONS

1138 SERIES SLIDING DOOR HARDWARE

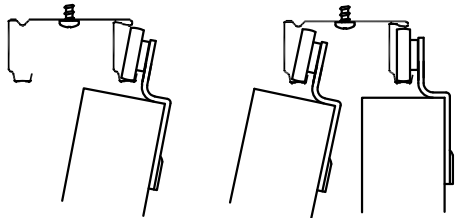
For 1-3/8" (35mm)
DOORS ONLY
UP to 50 lbs. (23 kg).

www.johnsonhardware.com



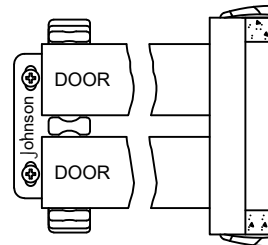
NOTE: To obtain full adjustment possibilities, screws must be located at TOP of each slot as shown.

Raise all hangers to top adjustment as shown when installing doors.

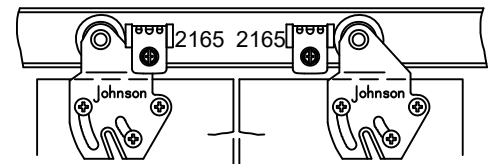


MOUNT Rear door first by tilting door back and resting hangers on rear rail.

MOUNT Front door the same way by tilting back and placing hangers on front rail.



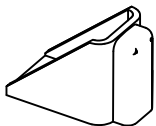
Door Guide is located by moving both doors to jamb on one side. Positioning guide between doors as shown and fastening to floor. If floor is carpeted, use Johnson 2136 Carpet Riser.



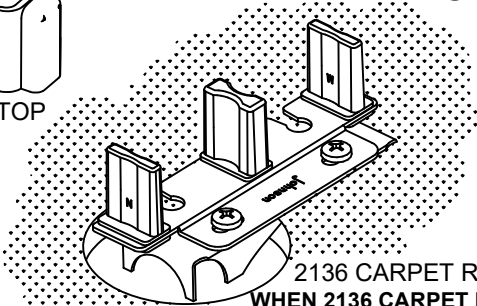
2165 Stops (4 door sets only).

1/16" (1.5mm)

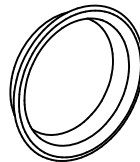
ACCESSORIES



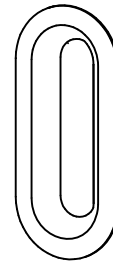
2155 STOP



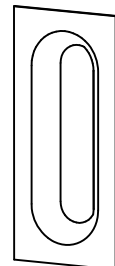
2136 CARPET RISER
WHEN 2136 CARPET RISER IS USED,
DOORS MUST BE 5/8" (16mm) SHORTER.



#30 PULL



#35 PULL



#40 PULL

AVAILABLE IN 3 FINISHES