

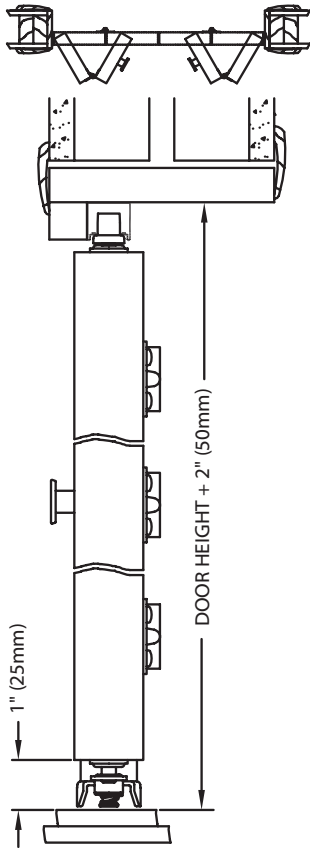


L.E. Johnson Products, Inc.  
 2100 Sterling Ave.  
 Elkhart, IN 46516  
 Ph: (574) 293-5664  
 Fax: (574) 294-4697  
 info@johnsonhardware.com  
 www.johnsonhardware.com



**1700**

Top Mounted Bifold Hardware  
 for 3/4" to 1 3/4" Thick Panels to 40 lbs. per Panel



- A most unique folding door hardware set that features top hung hardware, "breathing" shock absorber hinges, surface mounted hardware.
- Surface mounted pivot-guide components are ideal for the do-it-yourselfer because no hole drilling is required.
  - "Breathing" shock absorber hinges help prevent shock and fast opening or closing from deforming pivots, guides, and hinges.
  - Top hung hardware allows door to hang naturally, reducing possible warpage.
  - Automatic top door spacing eliminates unsightly gaps, permanently.
  - Floating, soft action - trouble free from top to bottom.
  - Track is available in Brown and White steel or Silver aluminum.
  - Available in retail packages or bulk.



## 1700 Exceptional Features

### Positive Pivot Lock

Permanently holds top pivot without fear of doors falling out of opening. Top hung components automatically minimizes gap at top of doors for best door appearance.

### Steel Track

Woodtone enamel painted track blends with all stained or natural finish doors. Makes the door stand out, not the hardware. Also available in white steel and silver aluminum.

### Breathing Hinge

Specially designed by Johnson. Provides shock absorbing action when doors are opened or shut sharply. Helps relieve stress on other door parts, track, pivot, guides, hinges.

### Adjustable Door Bracket

Mounts on jamb - not floor. Carries no weight. Allows carpeting to be run into closets without cutting. Pivot point adjusts to correct alignment of warped doors at the center of door opening.

**Complete Hardware Set**  
 1700 Track/Available in Aluminum, Brown Steel, or White Steel

- 1701 Top Pivot
- 1710 Pivot Lock
- 1705 Top Guide
- 1703 "Breathing" Hinge
- 1707 Bottom Pivot
- 1713 Track Stop
- 1711 Jamb Bracket
- 1712 Wrench
- 33 Knob
- 1808 Door Aligner



