

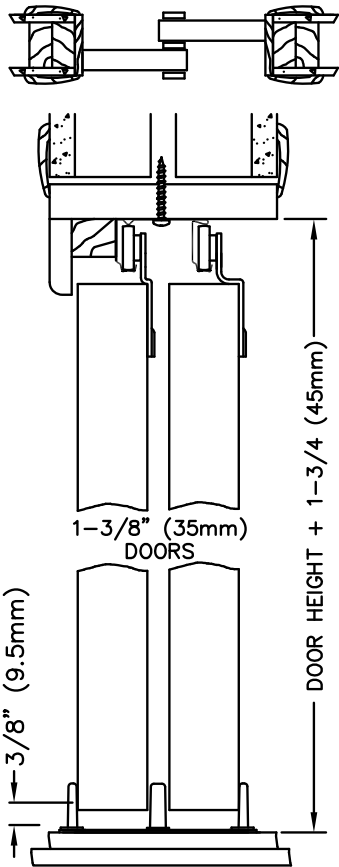


L.E. Johnson Products, Inc.  
 2100 Sterling Ave.  
 Elkhart, IN 46516  
 Ph: (574) 293-5664  
 Fax: (574) 294-4697  
 info@johnsonhardware.com  
 www.johnsonhardware.com



**1166**

Residential Bypass Track and Hardware  
 for 3/4" or 1 3/8" Thick Panels to 50 lbs. per Panel



Track is precision rolled heavy duty steel with convex rails. Hangers are heavy-gauge steel with zinc and yellow zinc trivalent plating, and in reverse positions will accommodate both 3/4" or 1 3/8" doors. Wheels are 7/8" dia. molded from nylon and machined for size, smoothness and balance. Adjustable door guide is woodtone finished steel with woodtone nylon floating guides. Pulls are 3/4" dia. satin nickel plated. Sets are available in single pack or in bulk.

**1166 Exceptional Features**

**Unique Track Design**

Convex track rails are designed to provide minimum friction and have parallel dust-catching traps. Rails also are designed to prevent doors from jumping the track. Enamel finish blends the track with any decor.

**Exclusive Balanced-Wheel Hangers**

These uniquely engineered hangers with machine turned and balanced wheels are reversible to hang either 3/4" or 1 3/8" doors. They also adjust door up or down without removing or changing screws. The three-point fastening holds door positively to prevent slipping.

**Adjustable Door Guide**

One-piece metal guide assembly adjusts laterally for quick plumb. Nylon guide posts are a full 1" high and are adjustable to alternate slots for 3/4" or 1 3/8" doors. Center guide and outside guides swivel automatically allowing even warped doors to glide smoothly without binding. A 180 degree turn of the outside guides widens or narrows door clearance.



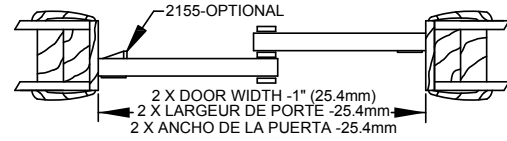
**Complete Hardware Set**

1166 Track	2216 Hanger (1/16" Offset)
2135 Door Guide	2238 Hanger (3/8" Offset)
15 Pull (3/4" dia.)	2255 Stop Kit (4 Door Sets Only)
Plus all screws and instructions	

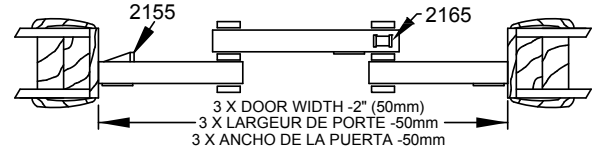


## 1166 Installation Overview

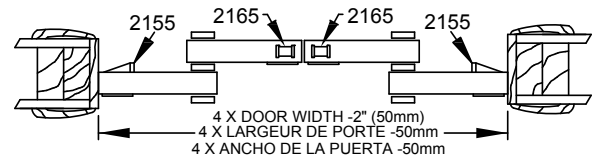
### 2 DOOR, PORTES, PUERTAS



### 3 DOOR, PORTES, PUERTAS



### 4 DOOR, PORTES, PUERTAS



**A) Attach Track** to the header.

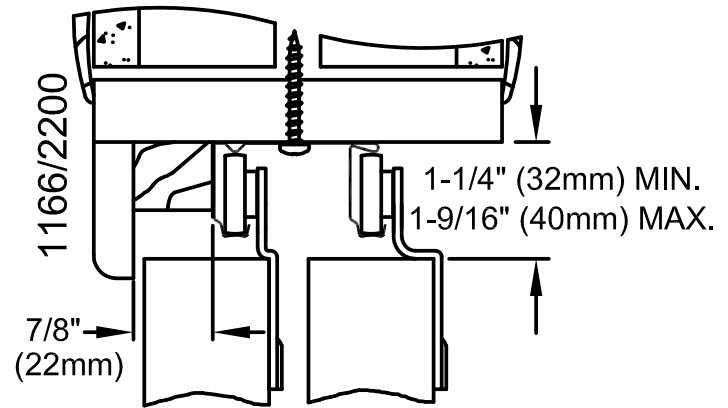
**B) Attach Hangers** to back side of doors 1" (25 mm) from each edge. The 1166 Series has both 1/6" (1.5 mm) and 3/8" offset hangers. For 3/4" (19 mm) doors, use 3/8" (9.5 mm) offset hangers on the front door. For 1 3/8" (35 mm) doors, use 1/6" (1.5 mm) offset hangers on the front door.

**C) Hang Doors:** Loosen hanger screws and move hangers so screws are in bottom of cam slots. Hang the rear door first, tilt the top of the door back, place wheels on the rear leg of track and let the door hang free. Repeat with the front door on the front leg of track. Adjust doors for height and to eliminate gaps at jamb, retighten screws at desired positions.

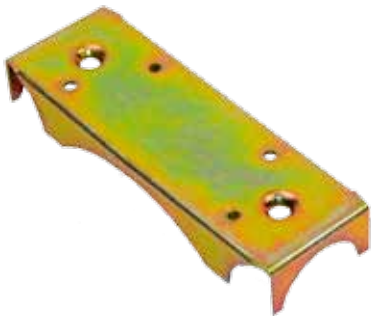
**D) Attach Door Guide:** Move both doors to one side of the jamb. Place the door guide between the doors and align the doors with the jamb edge. Attach the door guide to the floor.

**E) Adjust Hangers** for squareness with the side jambs.

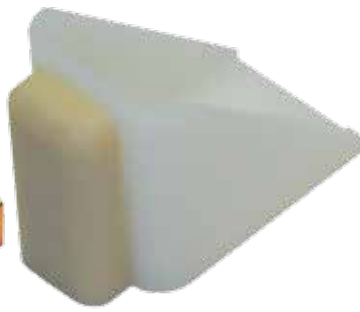
### A



### Optional Accessories

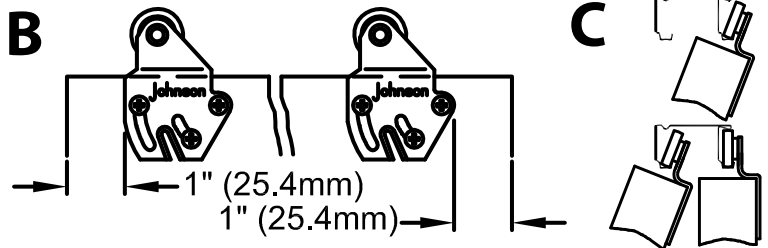


2136 Carpet Riser  
Eliminates cutting carpet

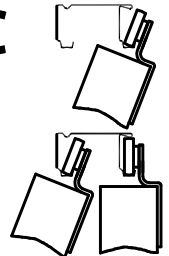


2155 Rear Door Stop  
Prevents the rear door from opening beyond the pull

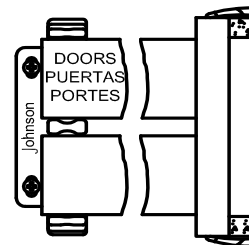
### B



### C



### D



### E

