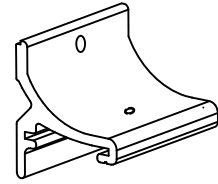




# INSTRUCTIONS

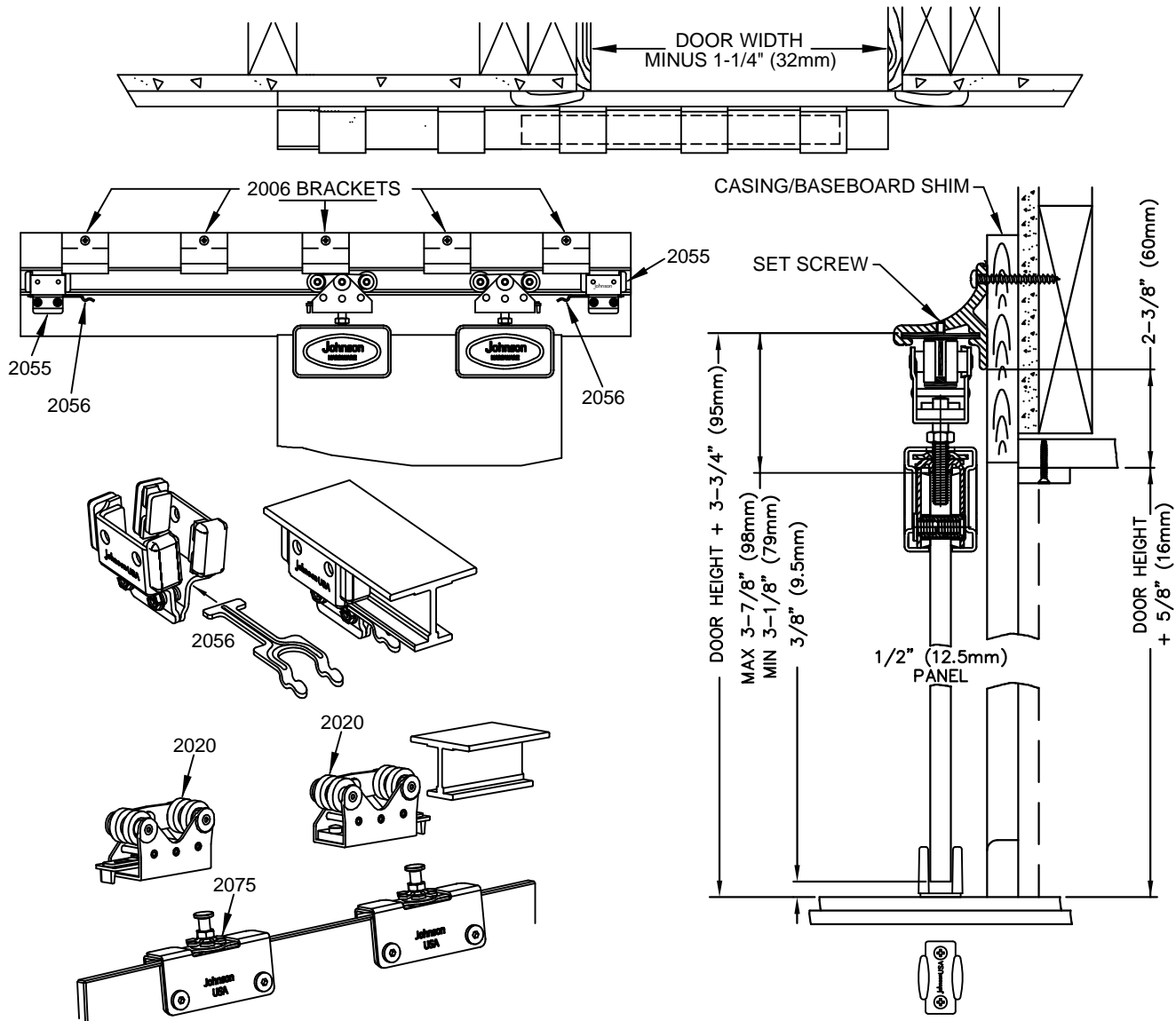
## 200 WALL MOUNT GLASS DOOR HANGER



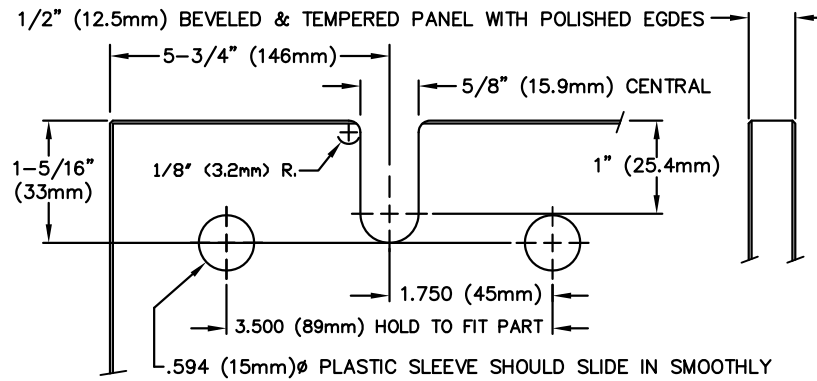
For 1/2" (12.5mm)  
Tempered Glass Door Panel  
Maximum Door Weight 400 lbs. (182kg.)

www.johnsonhardware.com

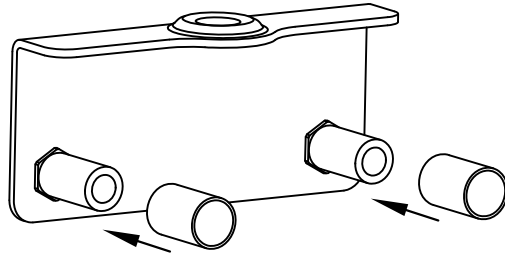
- Prepare opening to dimensions shown (or if existing, size door to fit).
- Slide 2006 Wall Mount Brackets onto track and secure with set screws. Adjust brackets to stud locations or where a solid anchor is assured. **Note: Brackets that are closest to ends must be within 8" (203mm) of track edge.**
- Horizontal location of track is not critical and is governed by trim thickness, however, **Track must be level** or door will not stay in position. Fasten brackets 2-3/8" (60mm) above header.
- Insert 2020 Hanger wheels into track with locking levers facing ends of track.



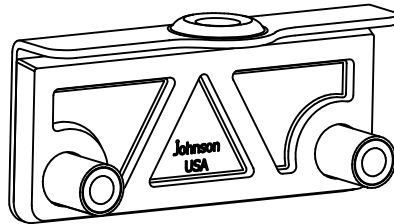
- Attach 3/8" X 1-1/4" (9.5mm X 32mm) stop (not included) at edge of header with #6 X 1-1/4" (32mm) flat head screw.
- Insert 2055 Stops into each end of track. Position door over opening with desired closure and back edge of door is still in 2030 Guides. Tighten 2055 Stop to limit door travel. Open door until door is flush with jamb face and tighten other 2055 Stop to limit opening travel of door.



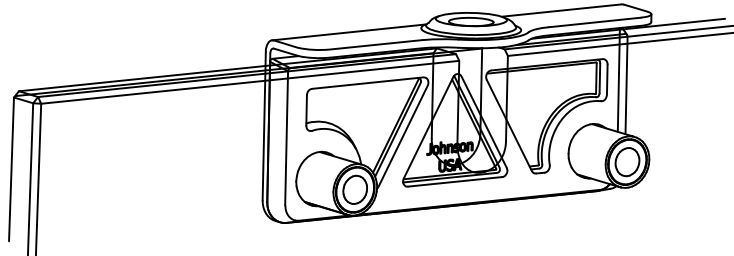
**1** HAVE GLASS beveled, drilled and tempered per illustration.



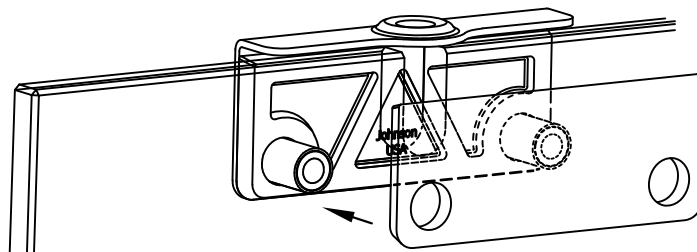
**2** SLIDE PLASTIC SLEEVES over hanger post.



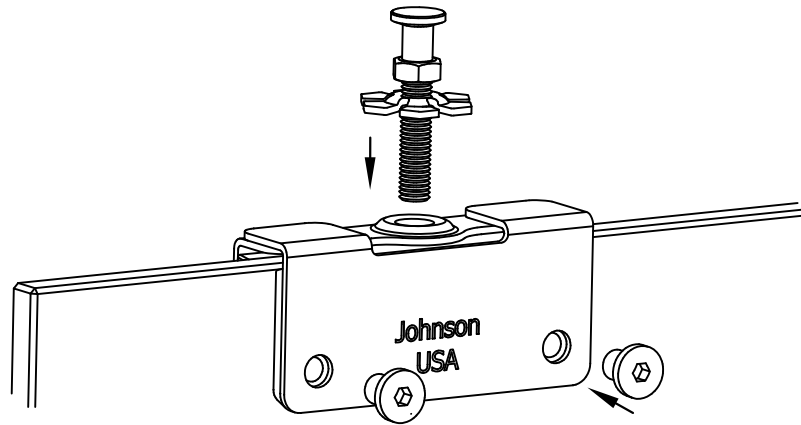
**3** INSERT RUBBER PAD over post with smooth side facing metal plate.



**4** INSERT DOOR PLATE into holes drilled in door.

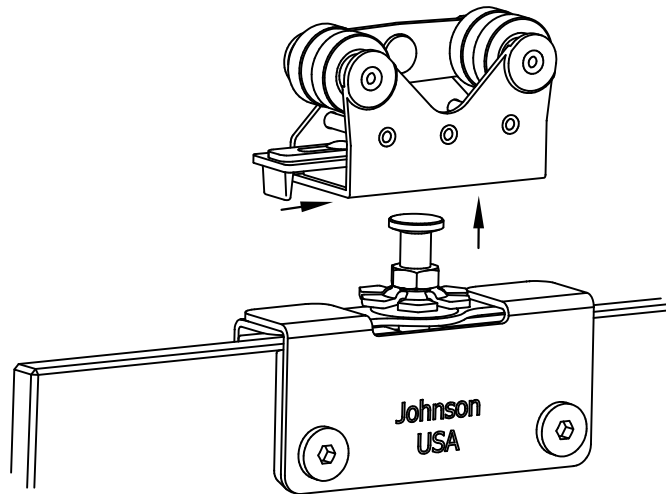


**5** INSERT SECOND RUBBER pad on other side of glass, smooth side facing away from glass.



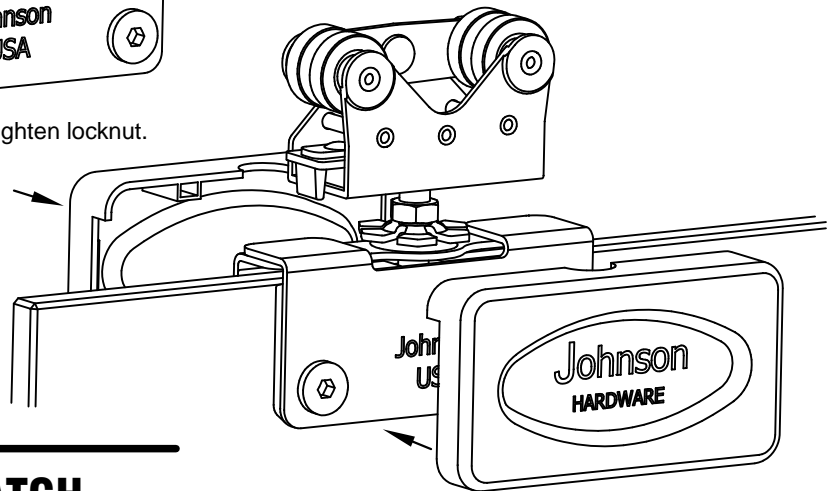
**6** LAY OTHER HANGER PLATE against pad and thread 3/8" screws into metal post. Thread hex slotted Locknut onto adjusting bolt, then thread adjusting bolt into door plate.

---



**7** HANG GLASS DOOR. Adjust Hanger then tighten locknut.

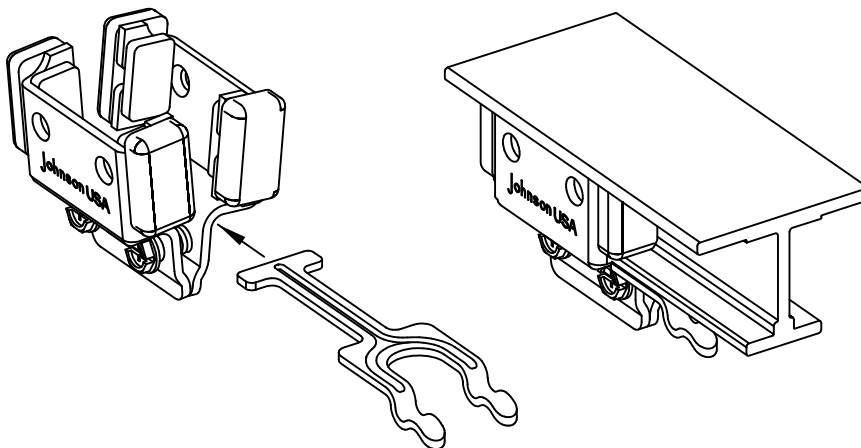
---



**8** SNAP HANGER COVERS over Hanger.

---

## 2056 DOOR CATCH





# INSTRUCTIONS

## OPTIONAL VALANCE / EXTENDED JAMB INSTRUCTIONS

www.johnsonhardware.com

