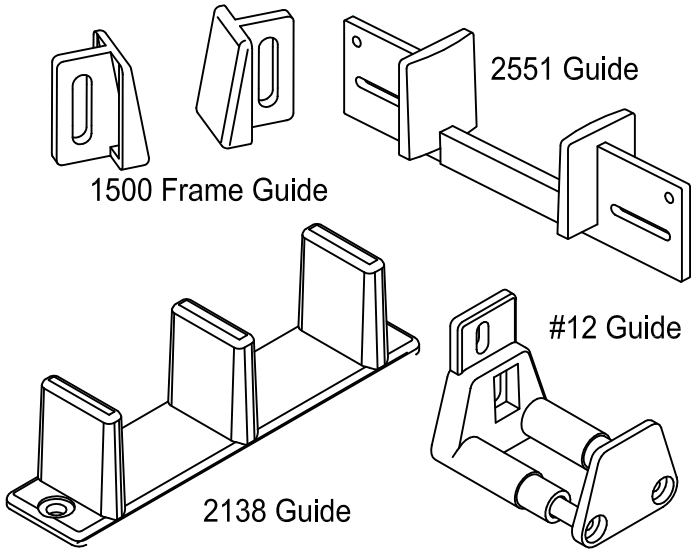




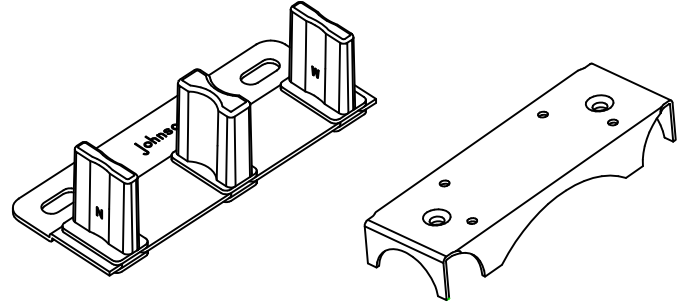
www.johnsonhardware.com

INSTRUCTIONS

JOHNSON HARDWARE DOOR GUIDE OPTIONS

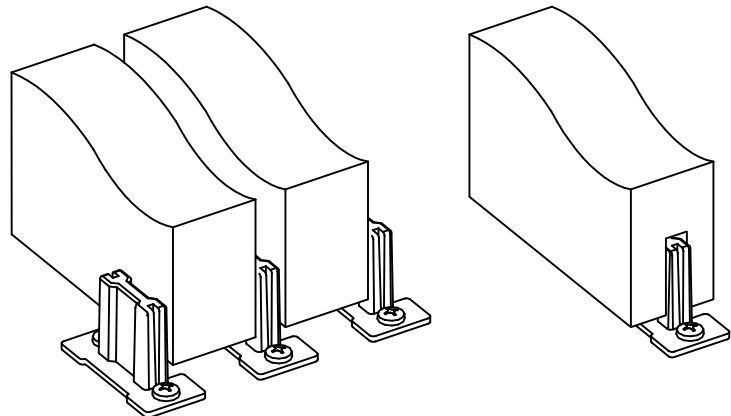
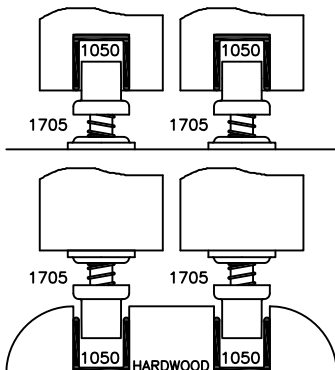
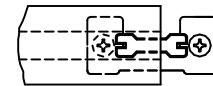
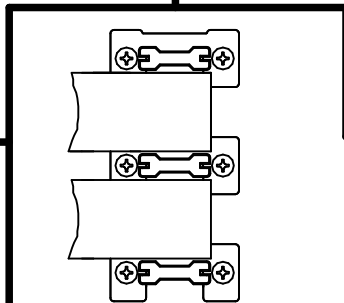
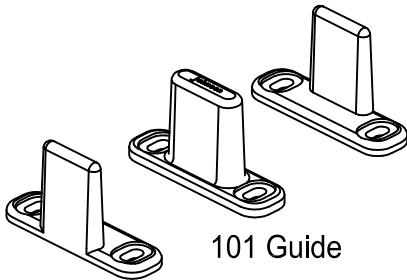
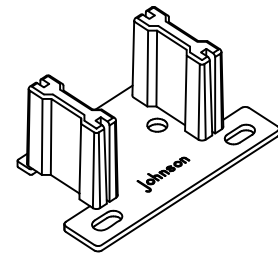
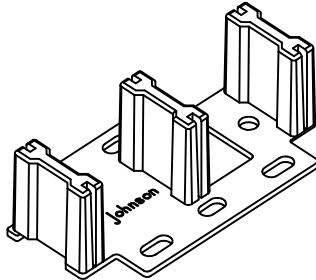


2118 - 1-1/8" DOUBLE DOOR GUIDE (118F SERIES)
 2134 - 1-3/4" DOUBLE DOOR GUIDE (134F SERIES)
 2135 - 1-3/8" DOUBLE DOOR GUIDE (2200 SERIES)
 2175 - 3/4" DOUBLE DOOR GUIDE (2200 SERIES)



2034 - 1-3/4" DOUBLE DOOR GUIDE (200 SERIES)
 2035 - 1-3/8" DOUBLE DOOR GUIDE (200 SERIES)

2037 - 1-3/4" SINGLE DOOR GUIDE (200 SERIES)
 2038 - 1-3/8" SINGLE DOOR GUIDE (200 SERIES)



2031 - 200 SERIES SINGLE DOOR GUIDE
 (OPTIONAL USAGES SHOWN)