

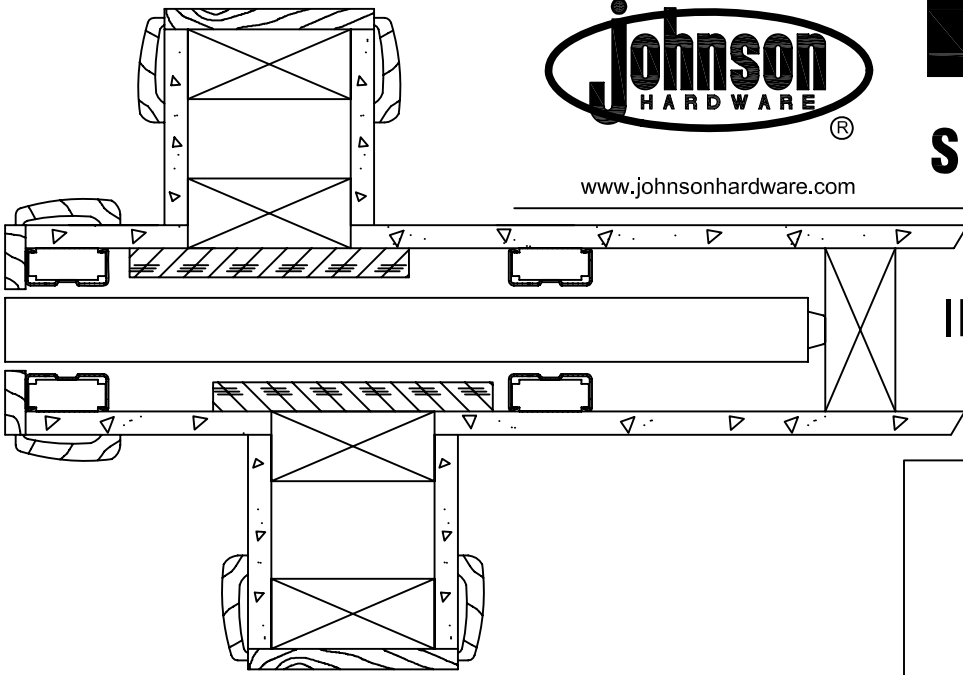


www.johnsonhardware.com

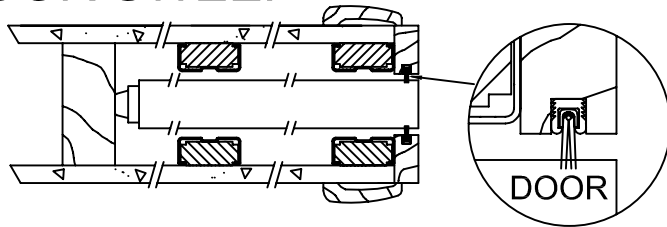
# INSTRUCTIONS

## SPECIAL APPLICATIONS

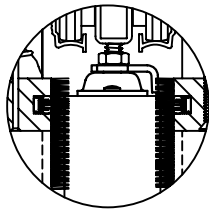
### INTERSECTING WALLS



### DOOR SWEEP



● PEMKO 5025\_p



3/16" (5mm)

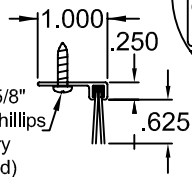
3/4" (19mm)

DOOR HEIGHT + 4-1/2" (114mm)

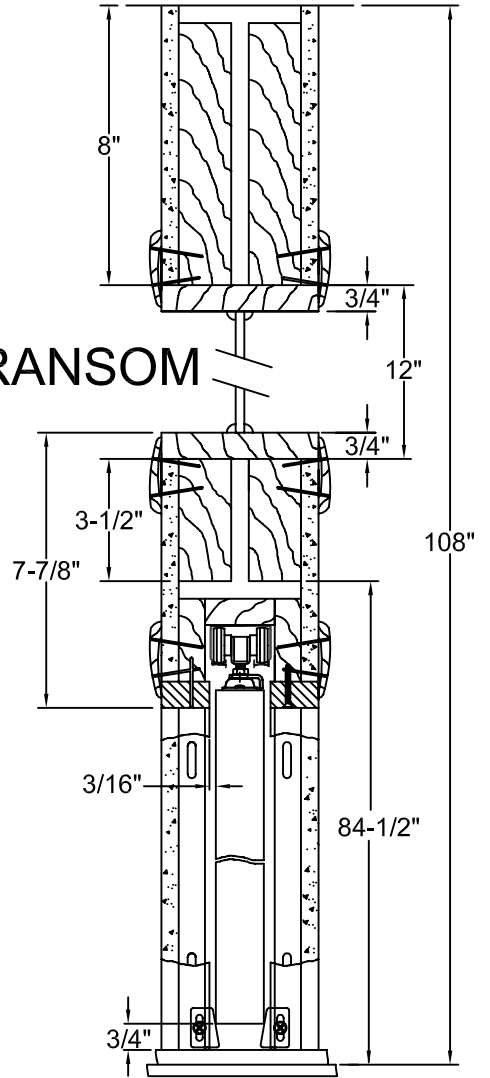
1/8" (3.2mm)

No. 6 x 5/8" PHSMS, Phillips (Factory Provided)

● PEMKO 90062\_P



### TRANSOM



### BI - PARTING POCKET DOOR

