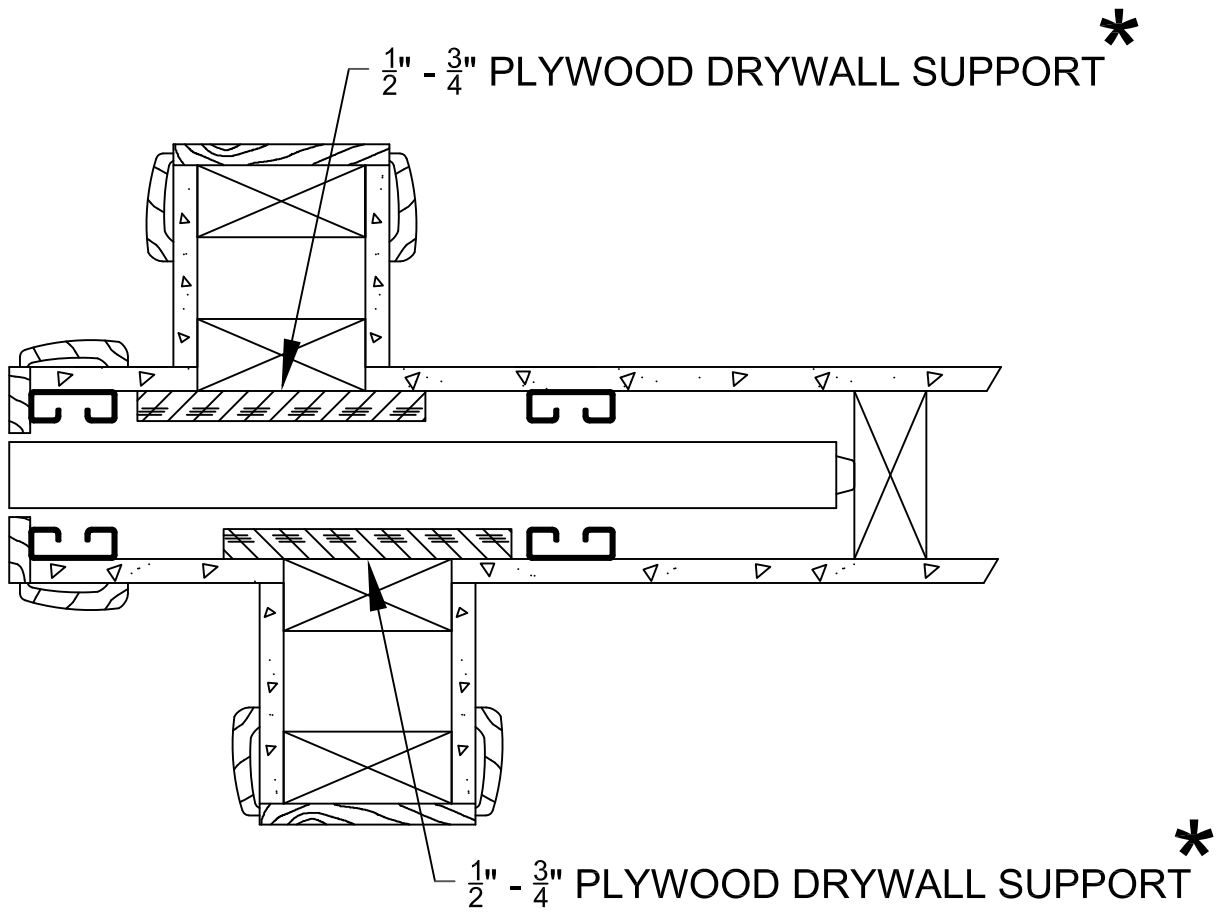




www.johnsonhardware.com

# INSTRUCTIONS

## INTERSECTING WALL



\* WHEN USING A  $\frac{3}{4}$ " PLYWOOD DRYWALL SUPPORT  
MAXIMUM DOOR WIDTH IS 1-3/8"