

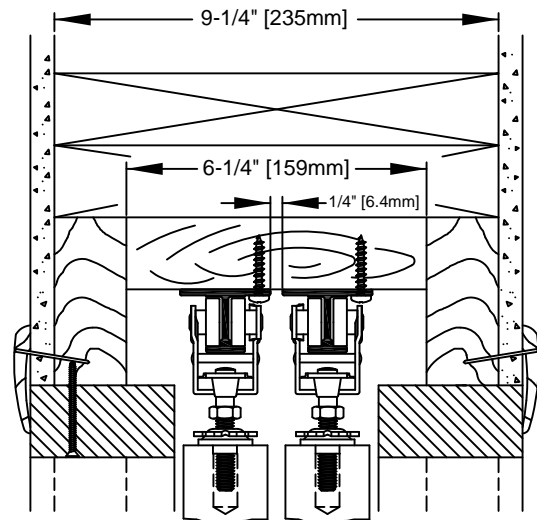
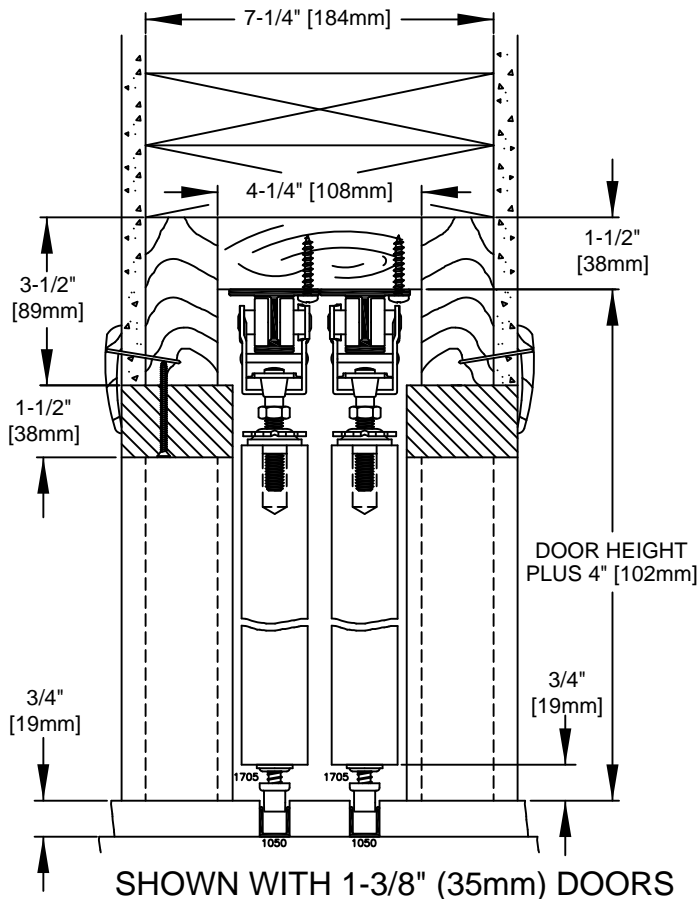
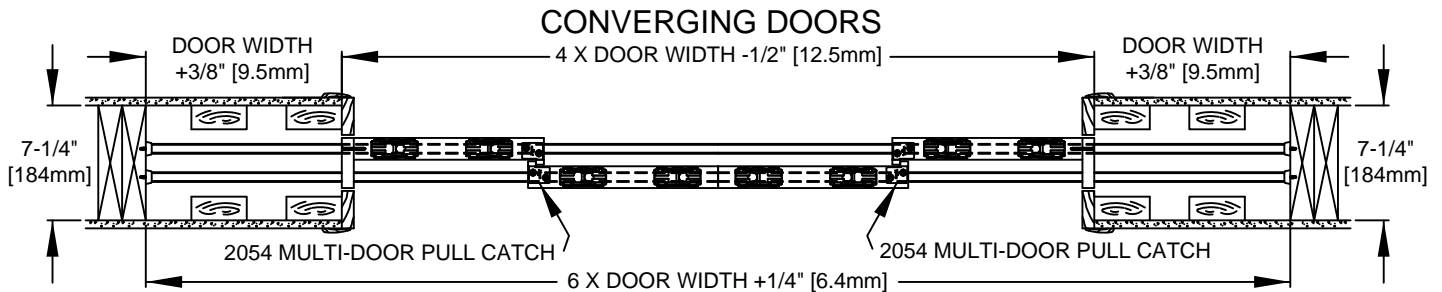
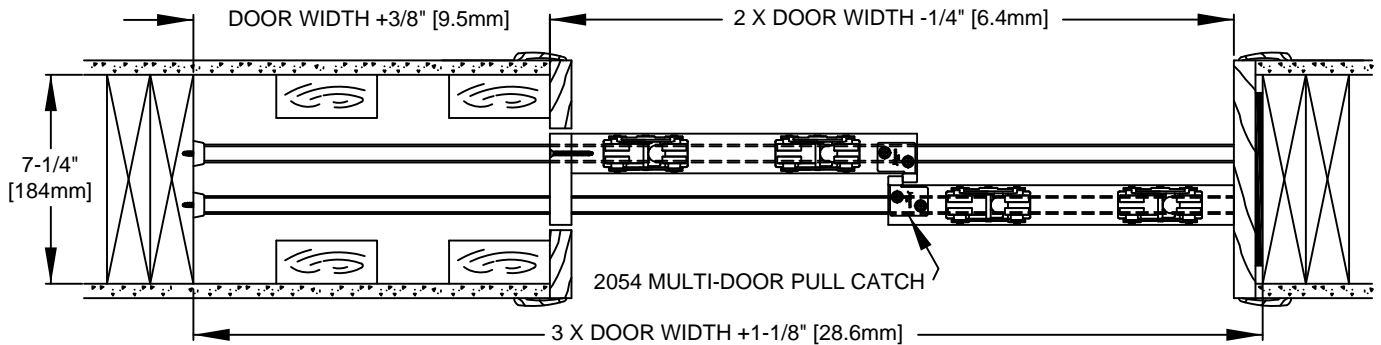


www.johnsonhardware.com

INSTRUCTIONS

**SPECIAL DOUBLE
POCKET APPLICATION
200PD SERIES HARDWARE
FOR 1-1/8" (28mm)
TO 1-3/4" (45mm)
200PD - 400 lb (182 kg.)**

MULTI-PASS POCKET DOOR 200PD SERIES



SHOWN WITH 1-3/4" (45mm) DOORS

| JOHNSON 200 SERIES 200PD SERIES NECESSARY COMPONENTS | **CONVERGING** JOHNSON 200 SERIES 200PD SERIES NECESSARY COMPONENTS |
|--|--|
| 2 - 200 SERIES TRACKS | 4 - 200 SERIES TRACKS |
| 2 - 1050 BOTTOM TRACKS | 4 - 1050 BOTTOM TRACKS |
| 4 - 2020 HANGERS | 8 - 2020 HANGERS |
| 2 - 1513 BUMPER | 4 - 1513 BUMPER |
| 4 - 1705 BOTTOM GUIDES | 8 - 1705 BOTTOM GUIDES |
| 1 - 2054PLBG MULTI-DOOR PULL CATCH | 2 - 2054PLBG MULTI-DOOR PULL CATCH |
| 1 - 2055 STOP | 4 - 2055 STOP |