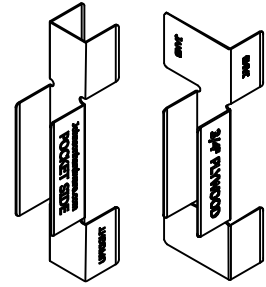




www.johnsonhardware.com

INSTRUCTIONS

1534-PL SERIES POCKET DOOR FRAME PLYWOOD RE-ENFORCEMENT BRACKETS



Use w/1500, 1500SC, 1560 and 2511 Series Pocket Door Frames
(Instructions are for a Pocket Door Frame with a door up to 3/0 wide)

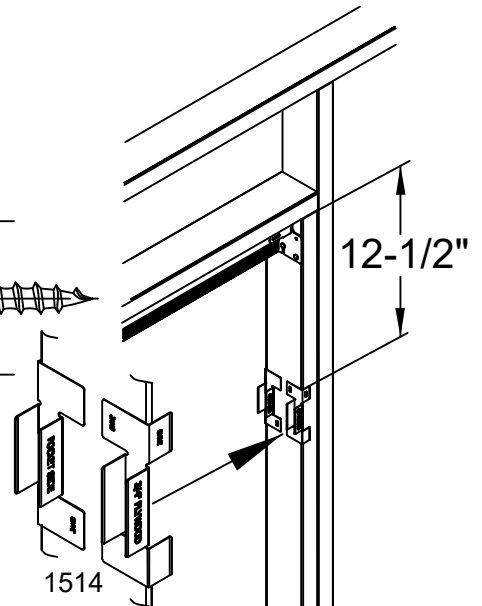
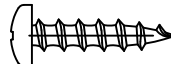
1 **INSTALL** header according to Pocket Door Frame Instructions. *See Steps 1,2,3 and 4.*

2 **CUT** 3/4" plywood sheets: (4 Pieces Required)

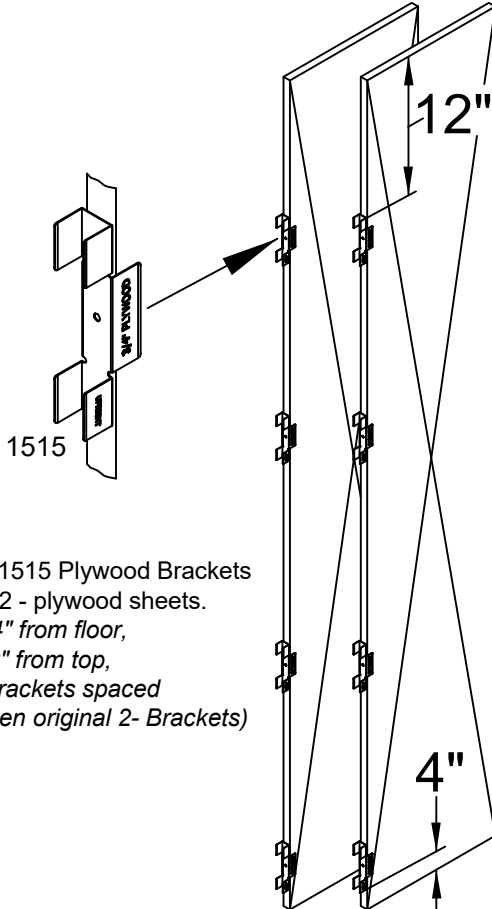
PLYWOOD WIDTH: Door width - 4" divided by 2 = Plywood width.
Example: 36" door, minus 4" = 32" divided by 2 = 16" plywood width.

PLYWOOD HEIGHT: Height should equal Door Height plus 4" for the 1500 - 1500SC - 1560 - 2511 Series Pocket Door Frame.

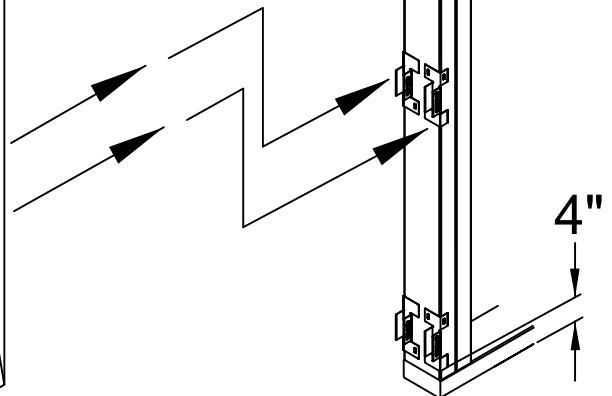
3 **TO** each side of the "Pocket End" rough stud, attach 4 each of the 1514 plywood brackets with the 3/4" x #6 Pan Head Screws.
(1- Bracket - 4" from floor, 1- Bracket 12-1/2" from rough header, the other 2- Brackets spaced equally between original 2- Brackets)



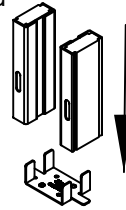
4 **ATTACH** 4 - 1515 Plywood Brackets to one end of 2 - plywood sheets.
(1- Bracket - 4" from floor, 1- Bracket 12" from top, the other 2- Brackets spaced equally between original 2- Brackets)



5 **INSERT** the end without Brackets of the 2 - plywood sheets into the 1514 -plywood Brackets attached to the rough stud.



6 **SLIP** Fingers of Floor Bracket into a pair of split studs, butt Split Stud against plywood sheets making sure split studs go into 1515 bracket attached to the plywood sheets. Nail split studs to header, plumb studs, nail to floor between chalk lines.



7 **ATTACH** 4 - 1515 Plywood Brackets to each end of the other 2 - plywood sheets.

8 **TAKE** the 2- plywood sheets and butt the sheets against the installed split studs making sure split studs go into 1515 brackets attached to the plywood. If plywood is bowed, install with bow facing outward.

9 **SLIP** fingers of floor bracket into the other pair of split studs, butt Split studs against plywood sheets making sure split studs go into 1515 brackets attached to the plywood sheets. Nail split studs to header, plumb studs, nail to floor between chalk lines.

10 **AT THIS** point continue with step 6 of the Pocket Door Frame Instructions.

