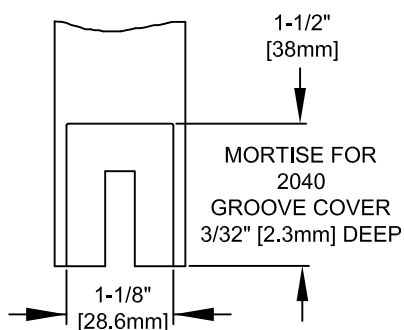
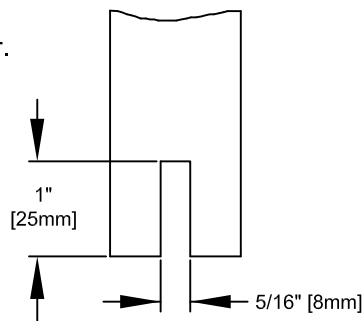


# INSTRUCTIONS

## 2041 PDF BOTTOM GUIDE SET

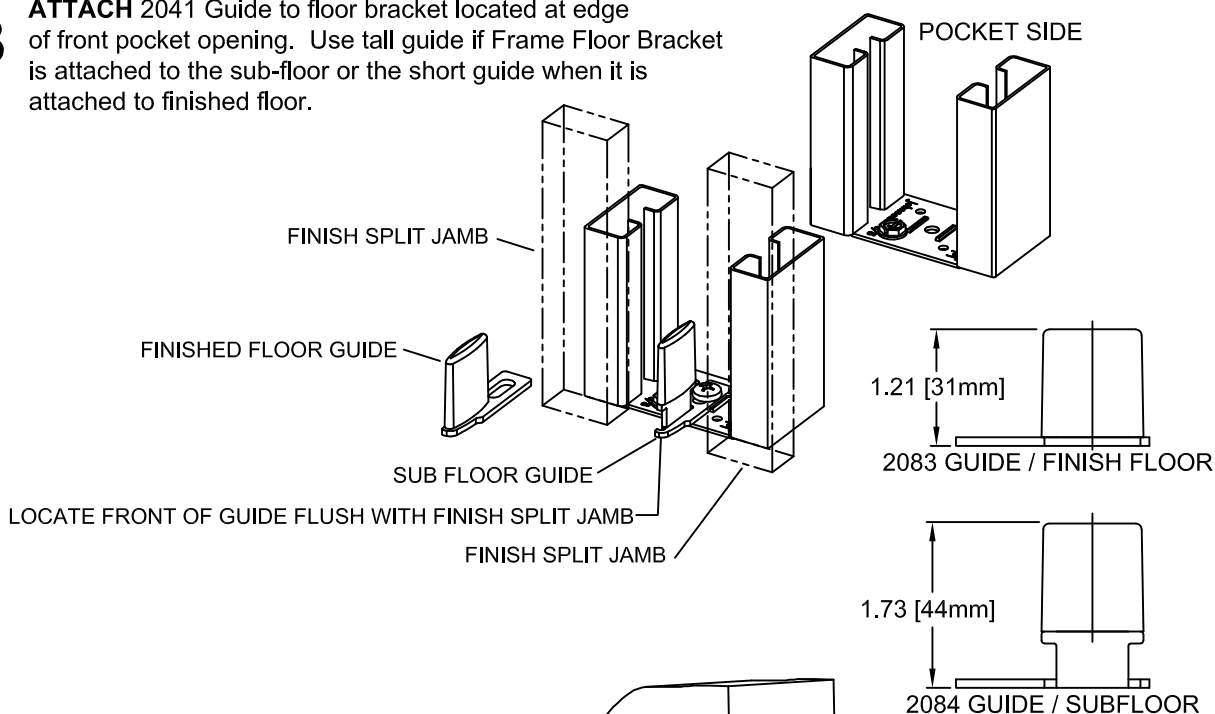
FOR USE WITH JOHNSON  
2000, 2060, 1500, 1560, 2511  
POCKET DOOR FRAMES

**1** ROUT 5/16" (8mm) X 1" (25mm) groove in bottom of Door.

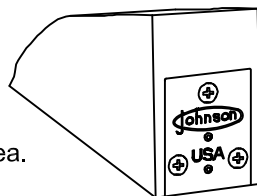


**2** MORTISE end of Door's front edge for 2040 Groove Cover. 1-1/8" (28.6mm) wide X 1-1/2" (38mm) high X 3/32" (2.3mm) deep.

**3** ATTACH 2041 Guide to floor bracket located at edge of front pocket opening. Use tall guide if Frame Floor Bracket is attached to the sub-floor or the short guide when it is attached to finished floor.



**4** ATTACH 2040 Rout Groove Cover in mortise area.



PASSAGE SIDE VIEW